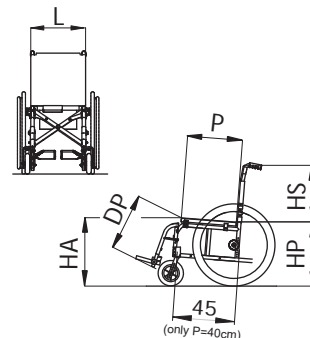


Dealer

# MIZAR



Key	<input type="checkbox"/> standard	<input type="radio"/> option	Quantity
<b>L</b> Seat width	<input type="checkbox"/> 40 <input type="checkbox"/> 42 <input type="checkbox"/> 44 <input type="checkbox"/> 46 <input type="checkbox"/> 48		<b>Nr. .... pieces</b>
<b>P</b> Seat depth	<input type="checkbox"/> 38 <input checked="" type="checkbox"/> 40 <input type="checkbox"/> 42 <input type="checkbox"/> 44		
<b>HS</b> Back-rest height	<input type="checkbox"/> 37 <input type="checkbox"/> 39 <input type="checkbox"/> 41 <input type="checkbox"/> 43		
<b>HA</b> Front seat/floor height	<b>50</b>		
<b>HP</b> Rear seat/floor height	<b>47</b>		
<b>DP</b> Foot-rest/seat distance	<input type="checkbox"/> 37 <input type="checkbox"/> 39 <input type="checkbox"/> 41 <input type="checkbox"/> 43 <input type="checkbox"/> 45 <input type="checkbox"/> 47 <input type="checkbox"/> 49 cm		
<b>Frame colour</b>	<input type="checkbox"/> Metallic grey		
<b>Upholstery</b>	<input type="checkbox"/> Nylon <input type="radio"/> Tension adj. nylon back-rest <input type="radio"/> Tension adj. breathable back-rest	<input type="checkbox"/> Without back-rest <input type="checkbox"/> Without seat	

<input type="checkbox"/> <b>Detachable foot-rests with plastic foot-plates and heel stops</b>  <input type="radio"/> Foot-holding belts	<input type="radio"/> <b>Elevating detachable foot-rests with plastic foot-plates and heel stops</b> (only P = 38 or 40 cm)  <input type="radio"/> Foot-holding belts	<input type="radio"/> <b>Anti-tip device</b>  <input type="radio"/> Right <input type="radio"/> Left	<b>Features</b> Aluminium folding frame; Steel single cross bar; Nylon fireproof upholstery; Tilt adjustable foot-plates; Heel stops; Height adjustable arm-rests; Unbalancing pedal; Weight w40xd40hx37 cm: 15,6 kg.
<input type="checkbox"/> <b>Detachable desk tip-up arm-rest - h 22 cm</b>  <b>Elbow-rest</b> <input type="checkbox"/> Classic <input type="radio"/> Hemiplegic RX <input type="radio"/> Hemiplegic LX	<input type="radio"/> <b>Detachable "U" tip-up arm-rest h 22 cm</b>  <b>Elbow-rest</b> <input type="checkbox"/> Straight (26 cm long) <input type="radio"/> Straight (36 cm long) <input type="radio"/> Hemiplegic RX <input type="radio"/> Hemiplegic LX	<input type="radio"/> <b>Detachable height adjustable tip-up arm-rest</b>  <b>Elbow-rest</b> <input type="checkbox"/> Classic (23 cm long) <input type="radio"/> Classic (30 cm long) <input type="radio"/> Straight (26 cm long) <input type="radio"/> Straight (36 cm long) <input type="radio"/> Hemiplegic RX <input type="radio"/> Hemiplegic LX	

<input type="radio"/> <b>Rear wheels</b> <input type="checkbox"/> 24" <input type="checkbox"/> 12" <b>Tyres</b> <input type="checkbox"/> Pneumatic plugged <input type="radio"/> Solid	<input type="checkbox"/> <b>Handrims</b> <input type="checkbox"/> Aluminium silver <input type="radio"/> Rubber coated <input type="radio"/> Tween Grepp <input type="radio"/> Max Grepp <input type="radio"/> Max Grepp Ergo <input type="radio"/> Silicon covers Not available with 12" wheels	<input type="radio"/> <b>Table</b> <input type="radio"/> Transparent <input type="radio"/> Rx <input type="radio"/> Lx Hemiplegic Transp. <input type="radio"/> Plastic grey <input type="radio"/> Soft padded Specify the fastening <input type="checkbox"/> Single <input type="checkbox"/> Double (the double fastening is compulsory with height adjustable arm-rests)	<input type="checkbox"/> <b>Options</b> 15 <input type="checkbox"/> "M" velcro strip (hook) on seat 16 <input type="checkbox"/> "F" velcro strip (loop) on seat 17 <input type="checkbox"/> Seat/back-rest connection flap 18 <input type="radio"/> WC seat 19 <input type="radio"/> Padded rigid seat 20 <input type="radio"/> Chest harness 21 <input type="radio"/> Chest belt 22 <input type="radio"/> Abductor belt 23 <input type="radio"/> Catheter holder pocket 24 <input type="radio"/> Hinged back-rest 25 <input type="radio"/> Back anatomic board 26 <input type="radio"/> Rx <input type="radio"/> Lx Crutch holder 27 <input type="radio"/> Pump for pneumatics 28 <input type="radio"/> 45° pelvic belt 29 <input type="radio"/> 45° padded pelvic belt 30 <input type="radio"/> Black holdall 32 <input type="radio"/> Umbrella holder 33 <input type="radio"/> Lined cushion, h 3cm high 34 <input type="radio"/> Lined cushion, h 5cm high
<input type="checkbox"/> <b>Front castors</b> <input type="checkbox"/> 175 (7"x1) solid <input type="radio"/> 175 (7"x1.3/4) solid <input type="radio"/> 175 (7"x1.3/4) pneumatic	<input type="radio"/> <b>Spoke guards</b> <input type="radio"/> Transparent <input type="radio"/> White <input type="radio"/> Black <input type="radio"/> Multicolour <input type="radio"/> Black plumed red <input type="radio"/> Black plumed blue <input type="radio"/> Black plumed green <input type="radio"/> Alphabet Not available with 12" wheels	<input type="radio"/> <b>Small wheels for narrow passages</b> <input type="radio"/> Small wheels for narrow passages for 24" wheels	

Note \_\_\_\_\_