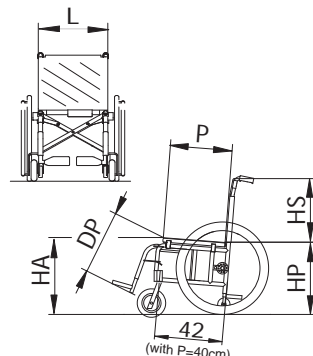


Dealer

ELEGANT

Key standard option

L Seat width	<input type="checkbox"/> 34 <input type="checkbox"/> 36 <input type="checkbox"/> 38 <input type="checkbox"/> 40 <input type="checkbox"/> 42 <input type="checkbox"/> 44 <input type="radio"/> 46 <input type="radio"/> 48 <input type="radio"/> 50 (compulsory stretched bar to be added) (included double cross bar) <input type="radio"/> 52 <input type="radio"/> 54 (compulsory stretched bar to be added) (included double cross bar) <input type="radio"/> 56 <input type="radio"/> 58 <input type="radio"/> 60 (compulsory stretched bar to be added) (included double cross bar)
P Seat depth	<input type="checkbox"/> 36 <input type="checkbox"/> 38 <input type="checkbox"/> 40 <input type="checkbox"/> 42 <input type="radio"/> 44 <input type="radio"/> 46 <input type="radio"/> 48 <input type="radio"/> 50 (compulsory double crossbar to be added) (included double cross bar)
HS Back-rest height	<input type="checkbox"/> 29 <input type="checkbox"/> 31 <input type="checkbox"/> 33 <input type="checkbox"/> 35 <input type="checkbox"/> 37 <input type="checkbox"/> 39 <input type="checkbox"/> 41 <input type="radio"/> 43 <input type="radio"/> 45 <input type="radio"/> 47 <input type="radio"/> 49 <input type="radio"/> 51 (included stretched bar)
HA Front seat/floor height	<input type="checkbox"/> 42 <input type="checkbox"/> 43 <input type="checkbox"/> 44 <input type="checkbox"/> 46 <input type="checkbox"/> 48 <input type="checkbox"/> 50 <input type="checkbox"/> 52 <input type="radio"/> 54
HP Rear seat/floor height	<input type="checkbox"/> 38 <input type="checkbox"/> 40 <input type="checkbox"/> 42 <input type="checkbox"/> 44 <input type="checkbox"/> 46 <input type="checkbox"/> 48 <input type="checkbox"/> 50
DP Foot-rest/seat distance	<input type="checkbox"/> 33 <input type="checkbox"/> 35 <input type="checkbox"/> 37 <input type="checkbox"/> 39 <input type="checkbox"/> 41 <input type="checkbox"/> 43 <input type="checkbox"/> 45 <input type="checkbox"/> 47 <input type="checkbox"/> 49 <input type="checkbox"/> 51 cm



Frame colour ①

Metallic blue Pearl red Metallic grey
 Glossy black
 Orange Cyclamen light purple Metallic light blue
 (see "Colours" catalogue)

Upholstery ②

Nylon
 Tension adj. nylon back-rest
 Tension adj. breathable back-r.
 Without back-rest
 Without seat

Upholstery colour ③ (nylon only)

Black
 Red Orange
 Light blue Green
 Cornflower blue

Detachable foot-rest ④

a = 79° C = 16 cm
 (with DP=43cm and P=40cm) (standard)

a = 74° C = 21 cm
 (with DP=43cm and P=40cm)

Elevating

(approx. measurement)

Plastic separate ⑤
(only L = from 38 to 46 cm)

Foot-holding belts
 Heel stops

Separate aluminium profile tilt adjustable foot-plates: ⑥

forward backward

Foot-holding belts

Single aluminium profile tilt adjustable foot-plate: ⑦
(not available with elevating foot-rest)

forward backward

Foot-holding belts

Side guards ⑫

Plastic

Aluminium

Carbon fibre

Plastic round cover*
 *(not available with reclining backrest)

Detachable Desk arm-rest - h 22 cm ⑧

Open* with side guards (only with HP > 42 cm)
 Closed
 27 cm high from the seat
 Tip-up*
 *(not available with reclining backrest)

Elbow-rest

Classic (23 cm long)
 Classic (30 cm long)
 Straight (26 cm long)
 Tubular
 Hemiplegic RX
 Hemiplegic LX

Detachable Sport arm-rest - h 22 cm* ⑨
(not available with reclining backrest)

Open with side guards (only with HP > 42 cm)
 Closed
 27 cm high from the seat
 Tip-up

Elbow-rest

Classic (23 cm long)
 Straight (26 cm long)
 Tubular
 Hemiplegic RX
 Hemiplegic LX

Detachable "U" arm-rest - h 22 cm ⑩

Open* with side guards (only with HP > 42 cm)
 Closed
 27 cm high from the seat
 Tip-up*
 *(not available with reclining backrest)

Elbow-rest

Straight (26 cm long)
 Straight (36 cm long)
 Tubular
 Hemiplegic RX
 Hemiplegic LX

Height adjustable arm-rest (only closed) ⑪

Desk model
 Tip-up*
 *(not available with reclining backrest)

"U" model
 Tip-up*
 *(not available with reclining backrest)

Elbow-rest

Classic (30 cm long)
 Classic (36 cm long)
 Straight (26 cm long)
 Straight (36 cm long)
 Hemiplegic RX
 Hemiplegic LX

Dealer _____

Rear wheels (12)

- 24" (36 spokes)
- 22" (36 spokes)
- 20" (36 spokes)
- 24" Mountain-bike w/ City bike tyre
- 24" Mountain-bike w/ Offroad tyre

Tyres

- Pneum. Plugged (x 1"3/8)
- Solid
- Pneum. high press. Plugged
- Pneum. high press. Smooth
- 24" Pneum. Marathon Plus

Handrims (13)

- Chromium-plated steel
- Aluminium silver
- Aluminium dark
- Rubber coated
- Tween Greep (only 24" & 22")
- Max Grepp
- Max Grepp Ergo (*)
- Silicon covers

(*) Not available with Mountain-bike wheels

Spoke guards (14)

- Transparent
- White
- Black
- Multicolour
- Black plumed red
- Black plumed blue
- Black plumed green
- Alphabet

Front castors (15)

- 100 (4") solid
- 125 (5") solid
- 150 (6") solid
- 175 (7") solid
- 175 (7") pneumatic

Rear frame (16)

- With small wheels for narrow passages - standard
- Without small wheels for narrow passages
- Small wheels for narrow passages with lever € 98,50
- Curved rear frame

(Compulsory: rear seat/floor height HP= from 44 to 48 cm), not available with reclining backrest)

(It is not possible to assemble the small wheels for narrow passages)

Unbalancing system (17)

- Right
- Left

(Only with curved rear frame)

Anti-tip device

- Right
- Left

Revolving anti-tip device
 (Only with curved rear frame)

- Right
- Left

Single drive (18)

- Right
- Left

Extended wheel plate (19)

Compulsory with reclining back-rest

Pushing handles (20)
 (Not with reclining back-rest)

- Standard
- Hinged back-rest (without stretched bar HS > 37) (with stretched bar HS > 43) (max L = 48 cm)
- Height adjustable (max L = 48 cm)

Reclining back-rest (21)

- from 90° to 150° with fixed pushing handles
- from 90° to 150° with height adjustable pushing handles (max L = 44 cm)

Compulsory: closed arm-rest and stretched bar

Abductor (22)

- 1
- 3
- 5
- 7 cm
- cm

Choose or specify the height from seat cover

Lateral supports (23)
 Swing Away

- Right
- Left

Specify the height "h"

Head-rest (24)

Padded

- Fixed
- Height adjustable

Moulded

- Fixed
- Height adjustable

Table (25)

- Transparent
- Rx
- Lx Hemiplegic transp.
- Plastic grey
- Soft padded

Specify the fastening:

- single
- double

(Only with arm-rest)

Brakes (26)

- Classic - short handle
- Classic - long handle
- Right single brake
- Left single brake
- Drum
- Drum + classic

Anodized set (27)
 (Rear wheel rims and forks)

- Black
- Light blue
- Silver
- Orange
- Light blue
- Lime green
- Orange

(Only 36 spoke wheels)

Orbital

- Moulded
- Anatomic

Specify "h" & "d" where requested
 Standard: h = 20 cm d = 15 cm
 h = cm d = cm

Lined cushion (28)
 in foam polyurethane

- 3 cm high
- 5 cm high

Options

- 29 "M" velcro strip (hook) on seat
- 30 "F" velcro strip (loop) on seat
- 31 Seat/back-rest connection flap
- 32 Padded rigid seat
- 33 Chest harness
- 34 Chest belt
- 35 Abductor belt
- 36 Double cross bar
- 37 Stretched bar
- 38 WC seat
- 39 Back-rest with spring
- 40 Catheter holder pocket

Options

- 41 Back anatomic board
- 42 Rx Lx Crutch holder
- 43 Rx Lx Double Crutch holder
- 43 Pump for pneumatics
- 44 Suitcase holder
- 45 45° pelvic belt
- 46 45° padded pelvic belt
- 47 Black holdall
- 48 Umbrella holder
- 49 IV poles
- 50 IV bar+poles
- 51 Front protective covers