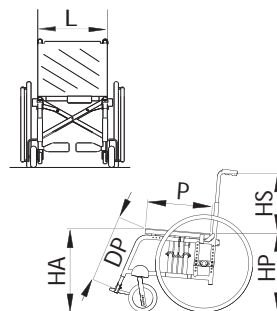


Dealer \_\_\_\_\_

# RECLINING ALTHEA.R

Key  standard  options

<b>L</b> Seat width	<input type="checkbox"/> 34 <input type="checkbox"/> 36 <input type="checkbox"/> 38 <input type="checkbox"/> 40 <input type="checkbox"/> 42 <input type="checkbox"/> 44 <input type="checkbox"/> 46 <input type="checkbox"/> 48 <input type="checkbox"/> 50 <input type="radio"/> 52 <input type="radio"/> 56 <input type="radio"/> 60
<b>P</b> Seat depth Adjustable up to 6cm (max.50 cm)	<input type="checkbox"/> 36 <input type="checkbox"/> 38 <input type="checkbox"/> 40 <input type="checkbox"/> 42 <input type="checkbox"/> 44 <input type="checkbox"/> 46 <input type="checkbox"/> 48 <input type="checkbox"/> 50
<b>HS</b> Back-rest height	<input type="checkbox"/> 29 <input type="checkbox"/> 31 <input type="checkbox"/> 33 <input type="checkbox"/> 35 <input type="checkbox"/> 37 <input type="checkbox"/> 39 <input type="checkbox"/> 41 <input type="checkbox"/> 43 <input type="checkbox"/> 45 <input type="radio"/> 47 <input type="radio"/> 49 <input type="radio"/> 51 <input type="radio"/> 55 <input type="radio"/> 60
<b>HA</b> Front seat/floor height	<input type="checkbox"/> 42 <input type="checkbox"/> 43 <input type="checkbox"/> 44 <input type="checkbox"/> 46 <input type="checkbox"/> 48 <input type="checkbox"/> 50 <input type="checkbox"/> 52 <input type="radio"/> 54
<b>HP</b> Rear seat/floor height	<input type="checkbox"/> 38 <input type="checkbox"/> 40 <input type="checkbox"/> 42 <input type="checkbox"/> 44 <input type="checkbox"/> 46 <input type="checkbox"/> 48 <input type="checkbox"/> 50
<b>DP</b> Foot-rest/seat distance	<input type="checkbox"/> 34 <input type="checkbox"/> 35 <input type="checkbox"/> 37 <input type="checkbox"/> 39 <input type="checkbox"/> 41 <input type="checkbox"/> 43 <input type="checkbox"/> 45 <input type="checkbox"/> 47 <input type="checkbox"/> 49 <input type="checkbox"/> 51 (from 17 to 32 cm foot-rest directly assembled on the frame) .....



**Frame colour**

<input type="checkbox"/> Metallic blue	<input type="checkbox"/> Pearl red	<input type="checkbox"/> Metallic grey
<input type="radio"/> Orange	<input type="radio"/> Emerald green	<input type="radio"/> Metallic light blue
<input type="radio"/> ..... (see "Colours" catalogue)		

**1 Up-holstery**

<input type="checkbox"/> Tens. adj. nylon back
<input type="radio"/> Tension adj. breath. back
<input type="radio"/> Without back-rest
<input type="checkbox"/> Without seat

**2 Upholstery colour** **3**  
(Coloured uphol. only with Tension. adj. nylon)

<input type="checkbox"/> Black	<input type="radio"/> Orange*
<input type="radio"/> Red*	<input type="radio"/> Verde *
<input type="radio"/> Light blue*	<input type="radio"/> Cornflower blue*

**Not Detachable foot-rest** **4**

**Detachable foot-rest 82° angle**  
(DP 41 cm)

**Detachable foot-rest 68° angle**  
(DP 41 cm)

**Elevating foot-rest (detachable)**

**Plastic separate** **5**  
(only L = from 38 to 46 cm)

Foot-holding belts

**6 Separate aluminium profile tilt adjustable foot-plates:**

forward  backward

Foot-holding belts

**7 Single aluminium profile tilt adjustable foot-plate:**  
(not available with elevating foot-resty)

forward  backward

Foot-holding belts

**Detachable Desk armrest h 22 cm** **8**

27 cm high from the seat

**Elbow-rest**

<input type="checkbox"/> Classic (30 cm long)
<input type="checkbox"/> Straight (26 cm long)
<input type="checkbox"/> Tubular
<input type="radio"/> Hemiplegic RX
<input type="radio"/> Hemiplegic LX

**Detachable "U" armrest h 22 cm** **9**

27 cm high from the seat

**Elbow-rest**

<input type="checkbox"/> Straight (26 cm long)
<input type="radio"/> Straight (36 cm long)
<input type="checkbox"/> Tubular
<input type="radio"/> Hemiplegic RX
<input type="radio"/> Hemiplegic LX

**10 Height adjustable detachable arm-rest**  
(only closed)

Desk model

"U" model

**Elbow-rest**

<input type="checkbox"/> Classic (30 cm long)
<input type="radio"/> Classic (36 cm long)
<input type="checkbox"/> Straight (26 cm long)
<input type="radio"/> Straight (36 cm long)
<input type="radio"/> Hemiplegic RX
<input type="radio"/> Hemiplegic LX

Dealer \_\_\_\_\_

**Rear wheels** (11)

24" 36 spokes  12" pneumatic  
 22" 36 spokes  12" solid  
 20" 36 spokes  
 24" MTB w/Citybike tyre  
 24" MTB w/Offroad tyre

**Tyres**

Pneum. Plugged ( x 1"3/8 )  
 Pneum. high press. Smooth  
 Pneum. high press. Plugged  
 Solid  
 24" Pneum. Marathon Plus

**Handrims** (12)

Silver aluminium  
 Chromium-plated steel  
 Dark aluminium  
 Rubber coated  
 Tween Greep (only 24" & 22")  
 Max Grepp  
 Max Grepp Ergo (\*)  
 Siliconn covers

(\*) Not available with mountain-bike

**Spoke guards** (13)

Trasparent  
 White  
 Black  
 Multicolor  
 Black plumed red  
 Black plumed blue  
 Black plumed green  
 Alphabet

**Front castors** (14)

125 (5"x1.1/4) solid with plastic rim  
 125 (5"x1) solid w/alum.rim  
 125 (5"x1.1/4) solid w/alum.rim  
 150 (6") pneumatic  
 150 (6") solid  
 175 (7") solid  
 175 (7") pneumatic

**Straight Rear Frame**

With small wheels for narrow passages - standard  
 Without small wheels for narrow passages

**Unbalancing system**

Right  
 Left  
 (Only with straight rear frame)

**Anti-tip device** (15)

Right  
 Left  
 (Only with straight rear frame)

**Curved Rear Frame**

**Unbalancing system**

Right  
 Left  
 (Only with curved rear frame)

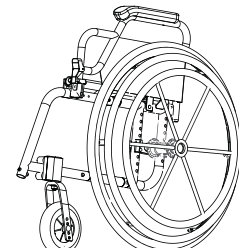
**Revolving anti-tip device**

Right  
 Left  
 (Only with curved rear frame)

(With curved rear frame it is not possible to assemble the small wheels for narrow passages)


**Monoguida** (16)

Destra  
 Sinistra



**Pushing handles** (17)

Standard  
 Height adjustable (max L = 48 cm)



**Lateral Supports** (18)


Swing Away  
 Fix

Right  
 Left

Specify the height "h"

DX  
 SX

Pls specify the height "h"



**Head-rest** (19)

**Padded**

Fixed  
 Height adjustable

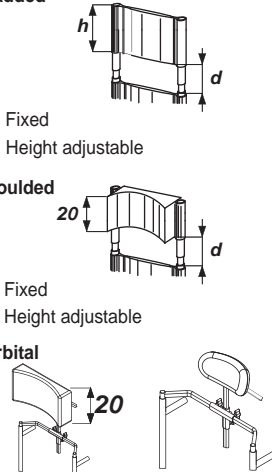
**Moulded**

Fixed  
 Height adjustable

**Orbital**

Moulded  
 Anatomic

Pls specify "h" & "d" where requested  
 Standard: h = 20 cm d = 15 cm  
 h = ..... cm d = ..... cm




**Table** (20)

Trasparent  
 RxOLx Hemiplagic transp.  
 Grey plastic  
 Soft padded

Specify the fastening:

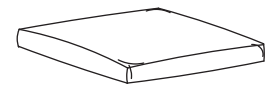
single  double

(Only with arm-rest)



**Lined cushion in foam poliurethane** (23)

3 cm high  
 5 cm high



**Brakes** (21)

Classic- short handle  
 Classic - long handle  
 Drum  
 Drum + Classic

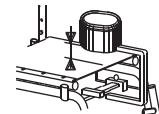
**Options**

34  "M" velcro strip (hook) on seat  
 35  "F" velcro strip (loop) on seat  
 37  Padded rigid seat  
 38  Chest harness  
 39  Chest belt  
 40  Abductor belt  
 41  Front protective covers  
 42  Stretched bar (always included)  
 43  WC seat  
 44  Catheter holder pocket

**Abductor** (22)

1  3  5  7 cm  
 ..... cm

Pls choose or specify the height from seat cover



**Options**

46  R  L Crutch hold./single  
 46  R  L Crutch hold./double  
 47  Pump for pneumatics  
 49  45° pelvic belt  
 50  45° padded pelvic belt  
 51  Black holdall  
 52  IV bar + poles  
 53  IV poles