

Dealer _____

Key

standard

option

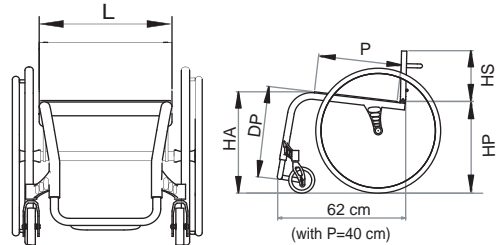
EOS

EOS FIX

EOS ADJ

L Seat width	<input type="checkbox"/> 34 <input type="checkbox"/> 36 <input type="checkbox"/> 38 <input type="checkbox"/> 40 <input type="checkbox"/> 42 <input type="checkbox"/> 44
P Seat depth	<input type="checkbox"/> 36 <input type="checkbox"/> 38 <input checked="" type="checkbox"/> 40 <input type="checkbox"/> 42 <input type="checkbox"/> 44 <input type="checkbox"/> 46
HS Back-rest height	<input type="checkbox"/> 27 <input type="checkbox"/> 29 <input type="checkbox"/> 31 <input type="checkbox"/> 33 <input type="checkbox"/> 35 <input type="checkbox"/> 37 <input type="checkbox"/> 39 <input type="checkbox"/> 41
HA Front seat/floor height	<input type="checkbox"/> 46 <input type="checkbox"/> 48 <input type="checkbox"/> 50
HP Rear seat/floor height	<input type="checkbox"/> 40 <input type="checkbox"/> 42 <input type="checkbox"/> 44 <input type="checkbox"/> 46 <input type="checkbox"/> 48
DP Foot-rest/seat distance	<input type="checkbox"/> 37 <input type="checkbox"/> 39 <input type="checkbox"/> 41 <input type="checkbox"/> 43 <input type="checkbox"/> 45 <input type="checkbox"/> 47 <input type="checkbox"/> 49

cm



Frame colour

①

- Shiny titanium Glossy black
 Pearl white Matt black
 Natural titanium
 (see "Colours" catalogue)

Upholstery

②

- Tension adj nylon back-rest
 Breathable tension adj back-rest
 Without back-rest
 Without seat

Back-rest upholstery colour

③

- Black
 Coloured
(available colours: orange, red, green, cornflower, light blue)
 Jacquard
(specify pattern)
 Jacquard + Ipad sleeve + Pochette
(specify pattern)

Tubular single titanium foot-rest

④

-
- Open Carbon fibre closed Tilt adjustable Carbon fibre closed

Pushing handles

⑤

-
- Without pushing handles Fixed pushing handles Height adjustable pushing handles Foldable pushing handles

Distance between the hub centre and back-rest

⑥

-
- 9 cm (standard) 7 cm
 0 cm (biamputated) 11 cm
 3 cm 12 cm
 5 cm

Back-rest tilt

⑦

-
- 89°
 91° (standard)
 93°

Front frame opening

⑧

-
- 83° A = 14 cm (standard)
 75° A = 19 cm

Rear wheel camber

⑨

- 1° 2°
 3° 4°

Side guards

⑩

-
- Aluminium with carbon fibre wing Detachable
 Aluminium with straight carbon fibre Detachable

Height adjustable "L" arm-rest, detachable

⑪

- Tip-up
Elbow-rest
 Tubular
 Straight (26 cm long)
 Classic (23 cm long)
 Classic (30 cm long)

Brakes

⑫

-
- Scissor brake
 Standard
 Pull brake

Revolving anti-tip device

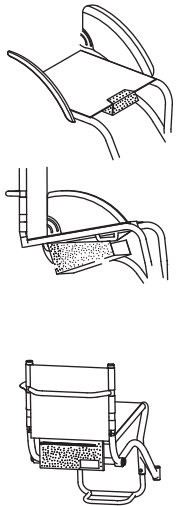

⑬

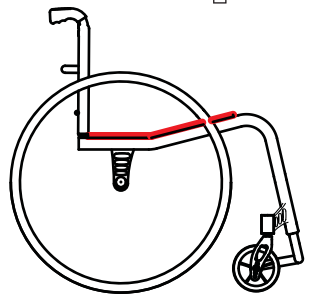
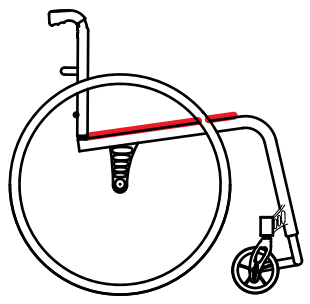
-
- Right
 Left

Notes

Dealer

<p>Rear wheels (14)</p> <p> <input type="checkbox"/> 24" Ultralight (24 spokes) <input type="checkbox"/> 24" Light (24 spokes) <input type="checkbox"/> 24" Star 6x3 (18 spokes) <input type="checkbox"/> 24" (36 spokes) <input type="checkbox"/> 24" Mountain-bike with Citybike tyre <input type="checkbox"/> 24" Mountain-bike with Offroad tyre <input type="radio"/> 24" Spinergy <input type="radio"/> 25" Spinergy <input type="radio"/> 25" Light (24 spokes) black </p> <p>Tyres</p> <p> <input type="checkbox"/> Pneum. Light Run 24" <input type="checkbox"/> Pneum. Marathon Plus <input type="checkbox"/> Pneum. high pressure Smooth <input type="checkbox"/> Pneum. high pressure Plugged 24" <input type="radio"/> Solid 24" not available for Ultralight wheels </p>	<p>Handrims (15)</p> <p> <input type="checkbox"/> Aluminium silver <input type="checkbox"/> Aluminium dark <input type="checkbox"/> Chrome plated steel 24" <input type="radio"/> Titanium <input type="radio"/> Rubber coated <input type="radio"/> Tween Greep 24" <input type="radio"/> Max Grepp 24" <input type="radio"/> Max Grepp Ergo 24" (**) <input type="radio"/> Silicon covers 24" </p> <p>(**) not available for Star 6x3 and Mountain bike wheels</p>	<p>Spoke guards (16)</p> <p> <input type="radio"/> Transparent <input type="radio"/> White <input type="radio"/> Black <input type="radio"/> Multicolour <input type="radio"/> Black plumed red <input type="radio"/> Black plumed blue <input type="radio"/> Black plumed green <input type="radio"/> Alphabet </p>	<p>Front castors (17)</p> <p> <input type="checkbox"/> 80 (3") solid L 25 mm <input type="radio"/> 80 (3") solid with lights L25 mm <input type="checkbox"/> 100 (4"x1.1/4) solid with plastic rim <input type="radio"/> 100 (4"x1) solid with lights <input type="checkbox"/> 100 (4"x1) solid with alum. rim L 25 mm <input type="checkbox"/> 100 (4"x1.1/4) solid with alum.rim L32 mm <input type="checkbox"/> 125 (5"x1.1/4) solid with plastic rim <input type="checkbox"/> 125 (5"x1) solid with alum. rim L 25 mm <input type="checkbox"/> 125 (5"x1.1/4) solid with alum. rim L 32 mm </p>
--	---	--	--

<p>Pockets (18)</p> <p> <input type="checkbox"/> Seat pocket <input type="radio"/> Big under the seat <input type="checkbox"/> Back-rest pocket </p> 	<p>Lined cushion in foam polyurethane (19)</p>  <p> <input type="radio"/> 3 cm high <input type="radio"/> 5 cm high </p>	<p>Options</p> <p> 22 <input type="checkbox"/> "M" velcro strip (hook) on seat 23 <input type="checkbox"/> "F" velcro strip (loop) on seat 24 <input type="radio"/> Padded rigid seat h 5 25 <input type="radio"/> Chest harness 26 <input type="radio"/> Chest belt 27 <input type="radio"/> Abductor belt 28 <input type="radio"/> Catheter holder pocket 29 <input type="radio"/> Rx <input type="radio"/> Lx Crutch holder 30 <input type="radio"/> Rx <input type="radio"/> Lx Double Crutch holder 31 <input type="radio"/> Pump for pneumatics 32 <input type="radio"/> Suitcase holder 33 <input type="radio"/> 45° pelvic belt 34 <input type="radio"/> 45° padded pelvic belt 35 <input type="radio"/> Black holdall 36 <input type="radio"/> Umbrella holder 37 <input type="radio"/> Front protective covers </p>
<p>Anodized set (20) <i>(Rear wheel rims, rear wheel hubs, forks and fittings)</i></p> <p> <input type="checkbox"/> Black <input type="checkbox"/> Silver <input type="radio"/> Lime Green <input type="radio"/> Light blue <input type="radio"/> Red <input type="radio"/> Orange <input type="radio"/> Cyclamen light purple </p> <p>(Only Light 24" wheels)</p>		

<p>ERGO SEAT <input type="checkbox"/></p> 	<p>STANDARD SEAT (21) <input type="checkbox"/></p> 	<p>7,5 kg configuration (FIX) 7,8 kg configuration (ADJ)</p> <ul style="list-style-type: none"> - Wheelchair 38x40x31 cm - Nylon upholstery - Frame Colour: Shiny Titanium - Open foot-rest - Without pushing handles - Aluminium side guards with carbon fibre wing - Scissor brakes - Ultralight wheels - Smooth high press. pneum. tyres - Ultralight pushrim - 80 mm front castors - Without pockets <p>Max load: 100 kg</p>
<p>Notes</p> <hr/> <hr/>		